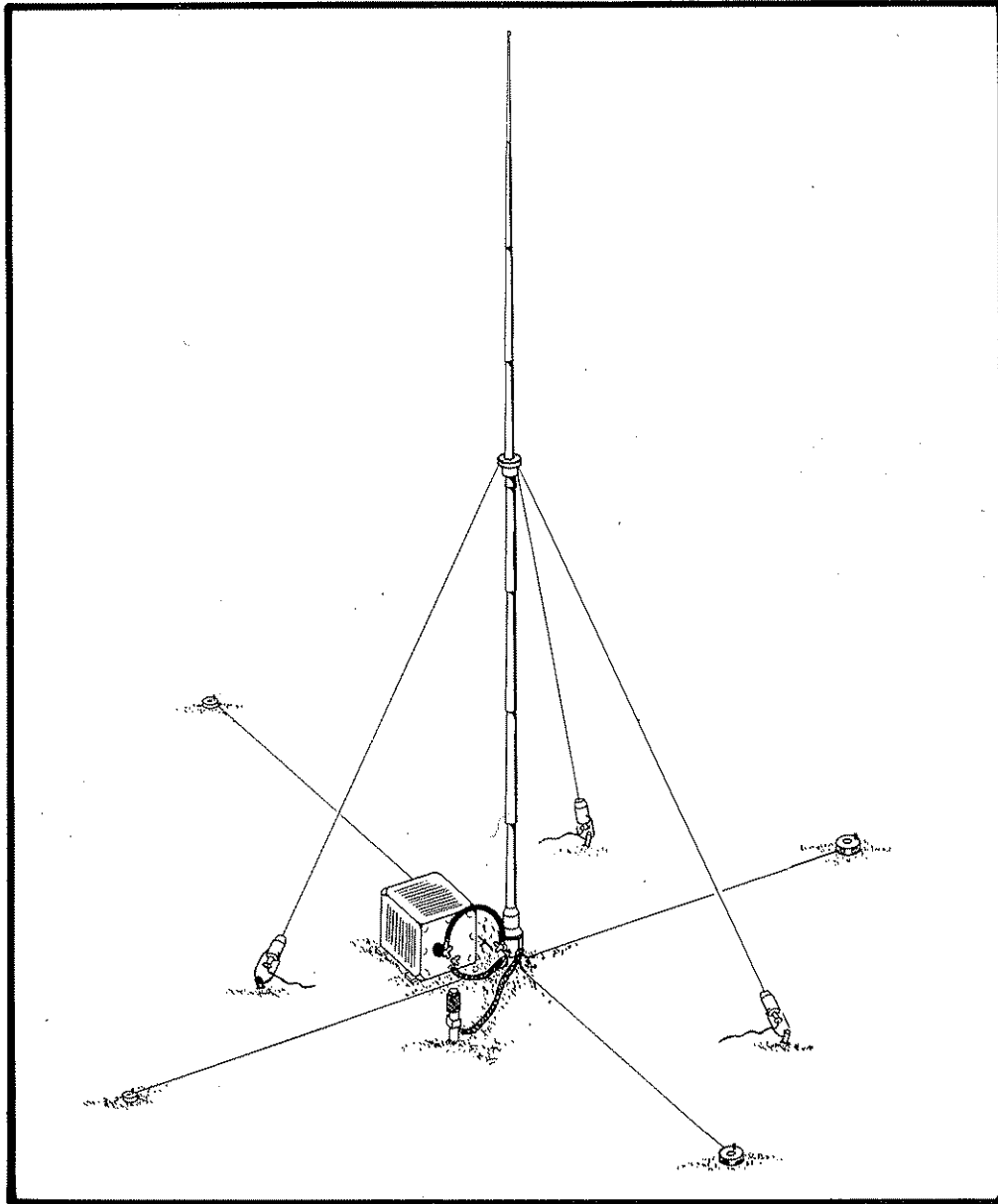




**sunair electronics, inc.**

3101 S.W. Third Avenue, Fort Lauderdale, Florida 33315-3389 USA



**INSTRUCTIONS FOR INSTALLATION**

**TAS - 100**

**32 FOOT TACTICAL WHIP ANTENNA  
FOR 100 WATT SYSTEMS**

FIRST EDITION, 1 OCTOBER 1984  
MANUAL PART NUMBER 8089000100

### TRAINING PROGRAMS

Sunair offers Training Programs of varying lengths to cover operation, service, and maintenance of all Sunair manufactured equipment. Up to eight technicians can be accomodated in these programs.

For more information, contact:

Product Services/Training Supervisor  
Sunair Electronics, Inc.  
3101 S.W. Third Avenue  
Fort Lauderdale, Florida 33315-3389  
U.S.A.

Telephone: (305) 525-1505  
Telex: 51-4443  
Cable: Sunair FTL

### 32 FOOT TACTICAL WHIP ANTENNA

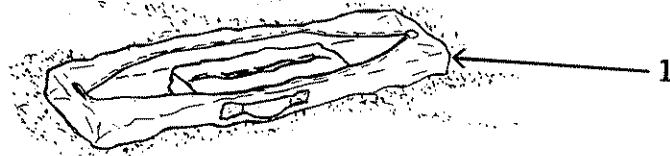
SUNAIR PART NUMBER 8089001092/8089701094

<u>ITEM NUMBER</u>	<u>PART NUMBER</u>	<u>DESCRIPTION</u>	<u>QUANTITY</u>
1	8089001505	Transportable Canvas Bag	1
2	1006380027	Base Stake	1
	1006380043	Base Stake (Supplied only with 8089701094)	1
3	8089030203	Ground Rod, Coupling	1
4	8089030301	Driver Stud	1
5	8089050093	Antenna Base Mount Assembly	1
6	0712960015	Antenna, 32 Foot Whip (8 pieces) (For replacement order p/n 0712960007)	1
7	8089010091	Antenna Guy Assembly	1
8	8089030092	Ground Rod Assembly	1
9	8089000398	Connector Lead Assembly (Contains 2 Ground Braids and Item 14)	1
10	8089030408	Ground Rod Clamp (Part of Item 8)	1
11	1006380035	Guy Stake	3
12	8089020097	Radial Assembly	4
13	8089001700	Sledge Hammer	1
14	0588790001	15 KV Wire (Part of Item 9)	1
15	1006370048	Collar Mast Insulator	1
16	8089000606	Line Fastener	3
	8089000100	Instruction Manual	1
	8089000207	Abbreviated Instruction Card	1
	8089030599	Driver Stud Assembly consists of Items 3 and 4	
	8089001696	Guy Stake Assembly consists of Items 11 and 16	



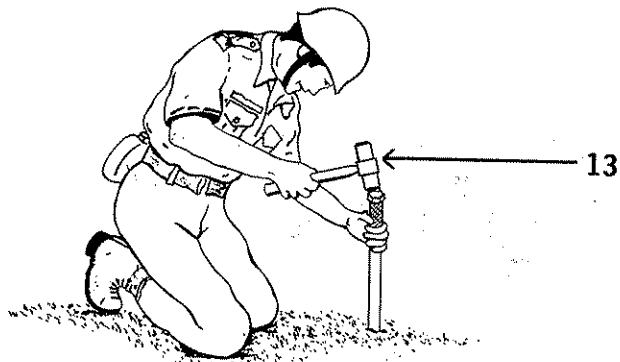
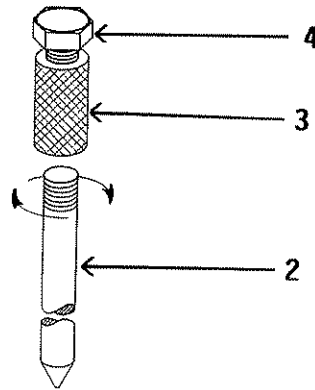
INSTALLATION PROCEDURE  
32 FOOT TACTICAL WHIP ANTENNA

STEP 1 Remove all items from the Transportable Canvas Bag, item 1.

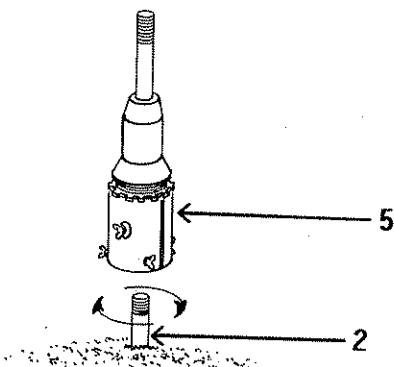


STEP 2 Screw item 2 Base Stake, item 3 Connector, and item 4 Driver Stud, together. Drive this assembly into the ground with the Sledge Hammer, item 13, leaving approximately 3 inches exposed.

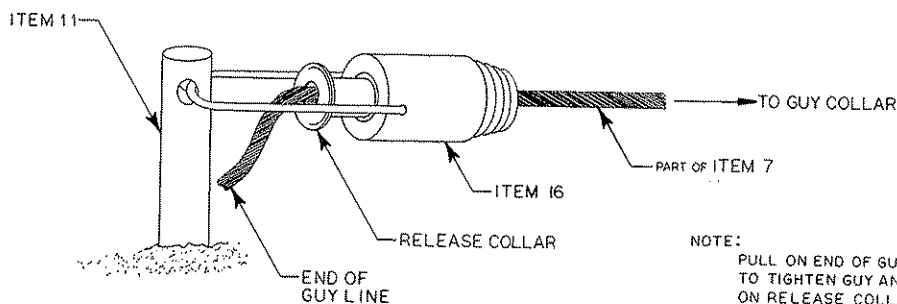
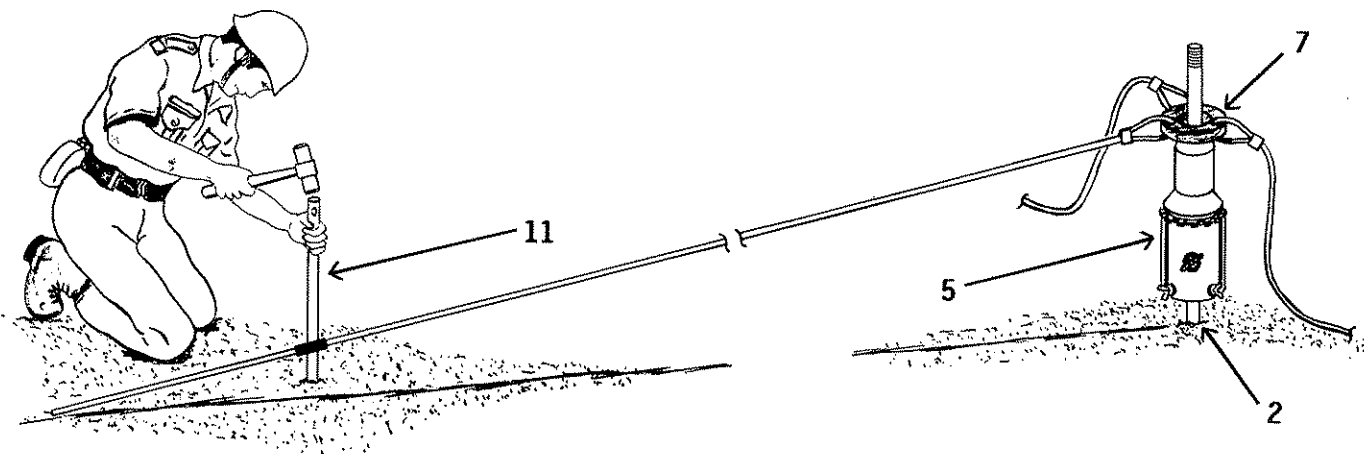
STEP 3 Unscrew items 3 and 4 from the Base Stake, return them to the canvas bag.



STEP 4 Screw item 5, the Antenna Base Mount Assembly, to the Base Stake.



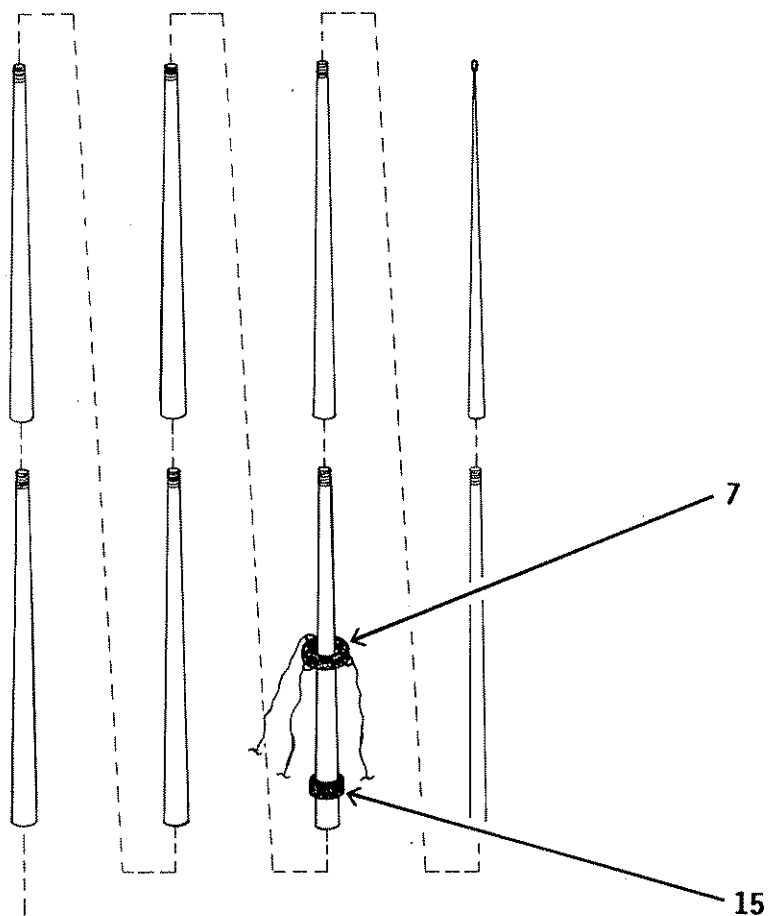
STEP 5 Lay item 7, the Antenna Guy Assembly, on top of item 5. Walk off one of the three Guy ropes. Line up the Guy rope with the yellow vertical stripe on the Base Mount and drive one of the Guy Stakes, item 11, into the ground at the point of the tape marker on the Guy. While holding the same Guy rope, walk in a circle and line up the remaining two yellow stripes on the Base Mount with the Guy rope and drive a Guy Stake into the ground at each location. Loosely thread one of the Guy ropes through each of the Guy Line Fasteners attached to the Guy Stakes, items 16 and 11, and remove the Antenna Guy Assembly from the top of item 5.



NOTE:  
PULL ON END OF GUY LINE  
TO TIGHTEN GUY AND PULL  
ON RELEASE COLLAR TO  
SLACKEN

- STEP 6** Assemble the first five sections of item 6, the 32 Foot Whip Antenna. Install the Collar Mast Insulator, item 15, for a snug fit at the bottom of the fifth section. (Note that the first four sections are interchangeable, and the remaining four sections taper.)
- STEP 7** Install the Antenna Guy Assembly, item 7, at the top of the fifth section of the antenna.
- STEP 8** Complete the antenna by assembling the remaining three sections of item 6.

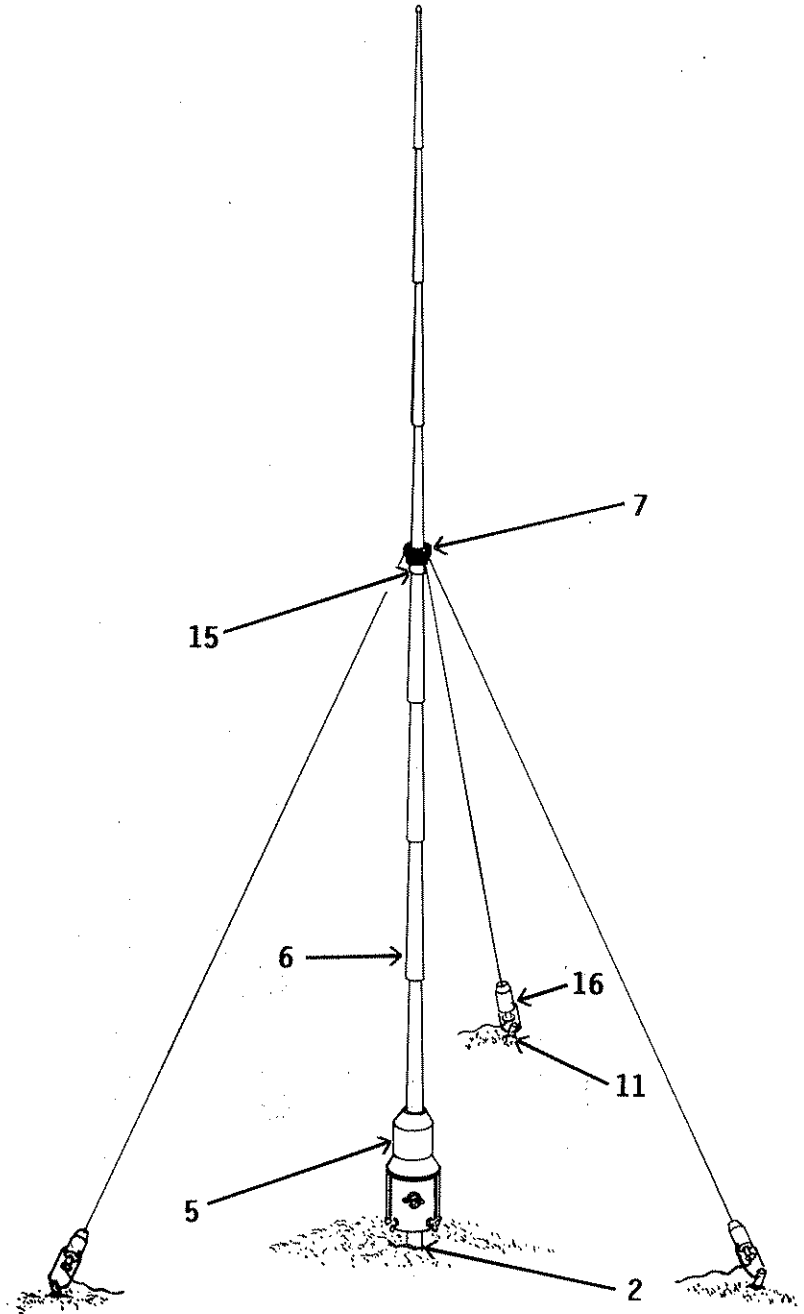
6



SUNAIR TAS-100

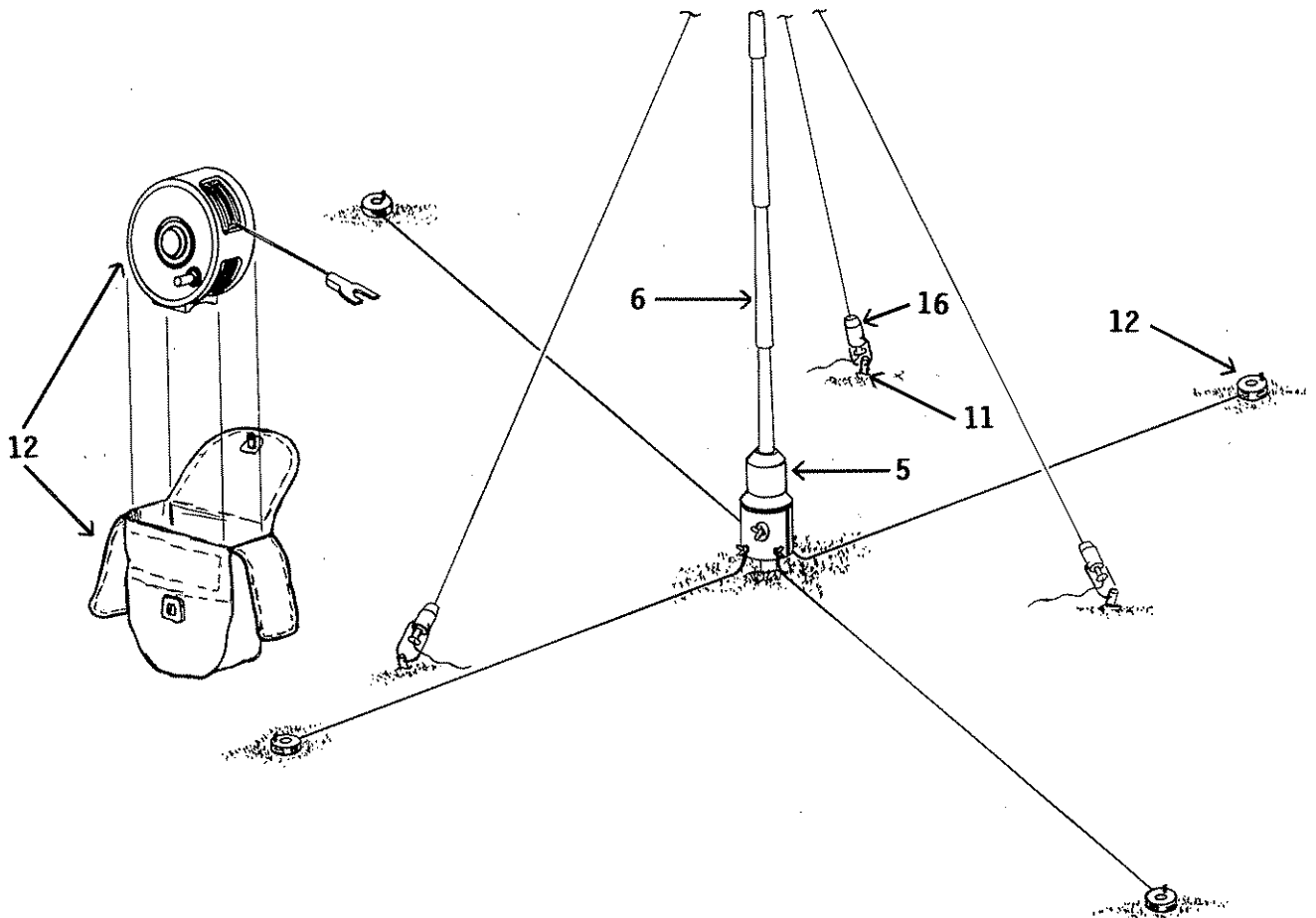
STEP 9 Screw the antenna onto the Base Mount, item 5.

STEP 10 Adjust the tension on the three Guy ropes.





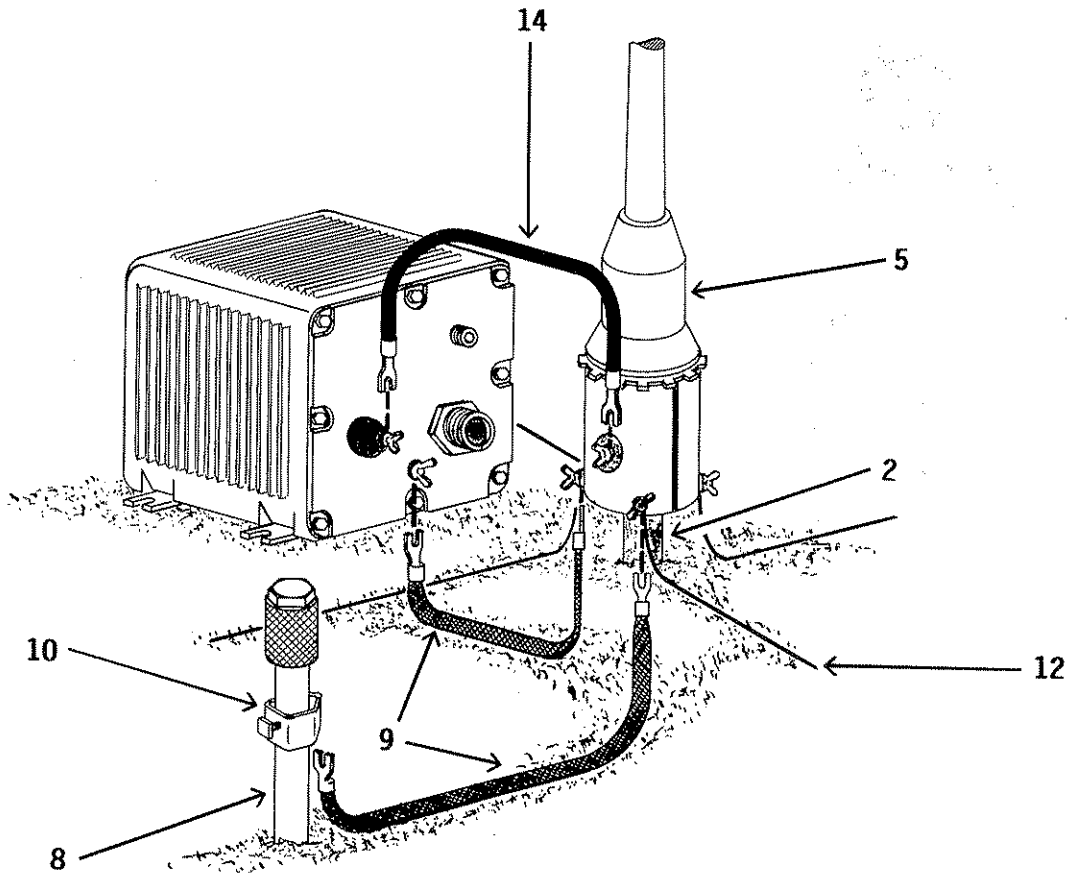
**STEP 11** Remove one Antenna Radial Assembly, item 12, from the Radial Bag. Attach the radial wire to one of the four wing nut terminals on the bottom of the Base Mount, item 5. Extend the radial wire approximately 35 ft. from the base of the antenna, and lay the radial spool on the ground with the handle facing up. Repeat this procedure for the remaining three Radial Assemblies.



SUNAIR TAS-100

**STEP 12** Drive the Ground Rod, item 8, into the ground within 10" of the Base Mount leaving 3 to 4 inches of the Ground Rod exposed. Attach one of the ground braids from item 9, to the ground terminal of the Antenna Coupler. Attach the other ground braid to the Ground Rod, using the Ground Rod Clamp, item 10, to secure the braid. Attach the free ends of the ground braids to any one of the ground terminals on the Base Mount, item 5.

**STEP 13** Attach item 14 the 15 KV Wire, to the Antenna Terminal on the Antenna Coupler. Attach the other end of the 15 KV Wire to the wing nut on the side of the Base Mount, item 5. **NOTE: Make sure the 15 KV wire does not come in contact with the Ground Braids, item 9, or the Radial Assemblies, items 12.**



**STEP 14** This completes the Installation Procedures. All equipment not used should be returned to the Transportable Canvas Bag.

